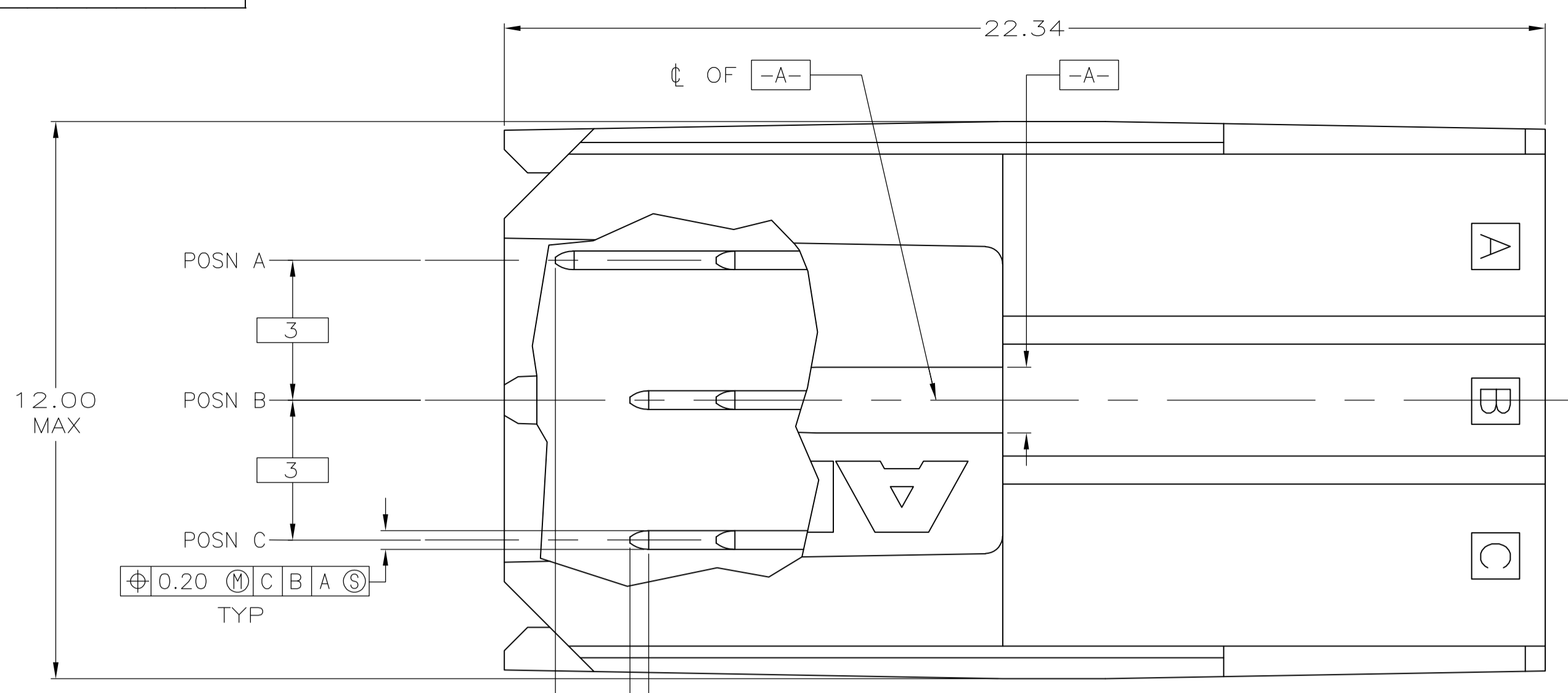
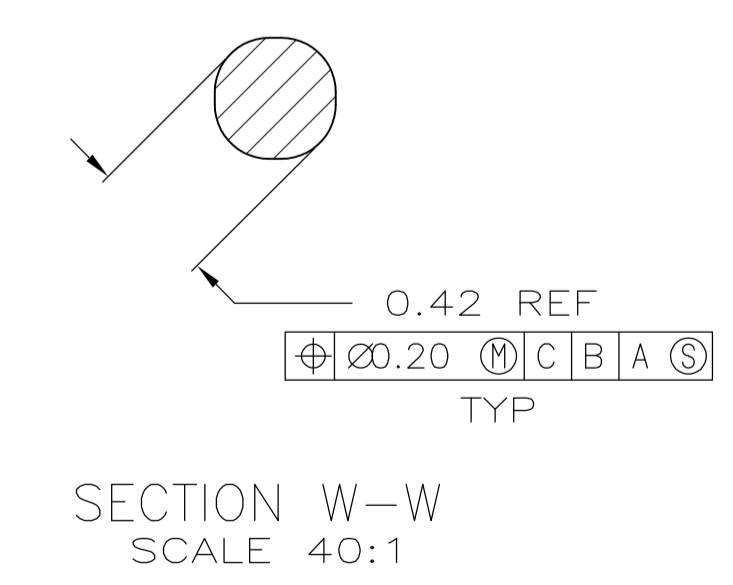
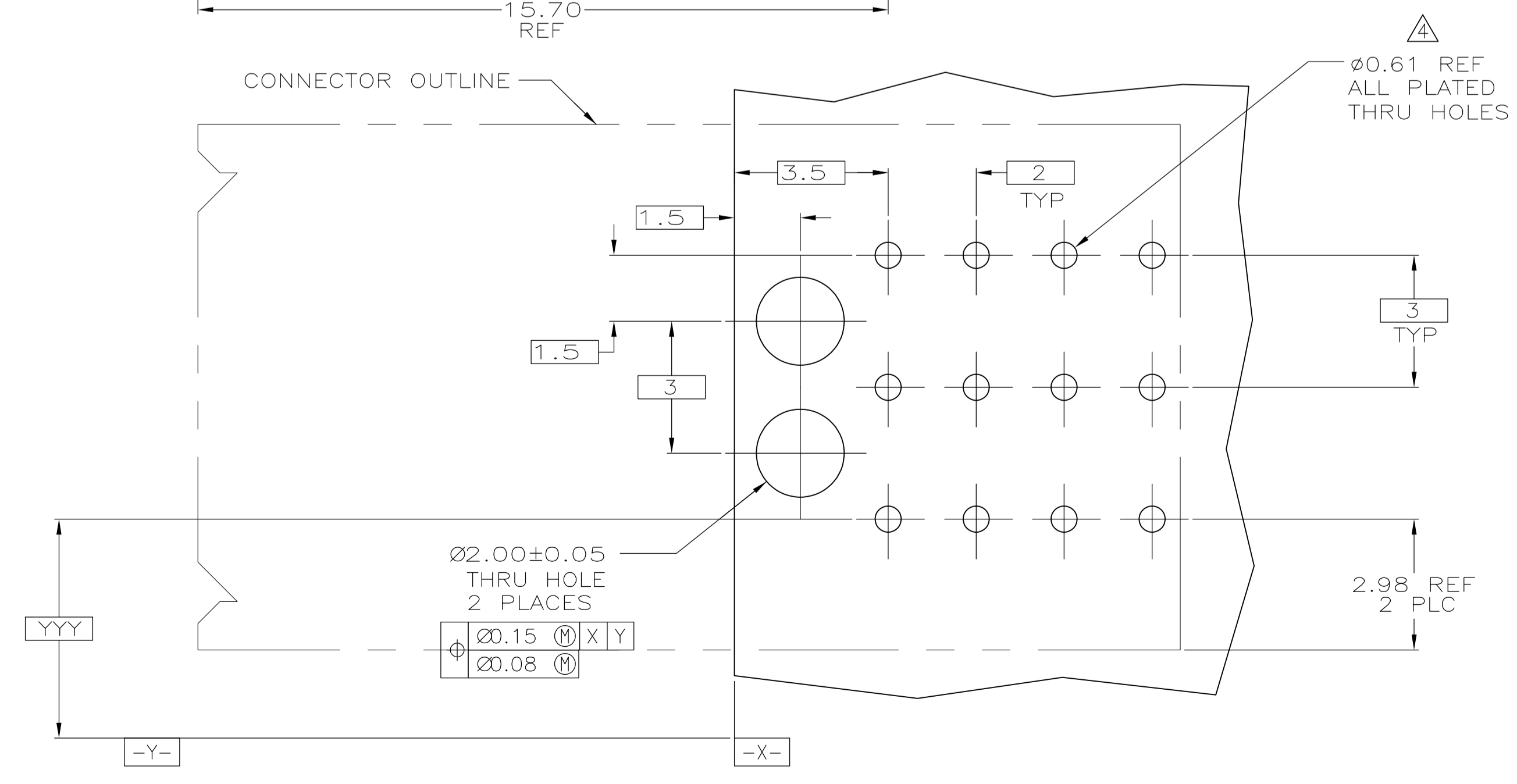
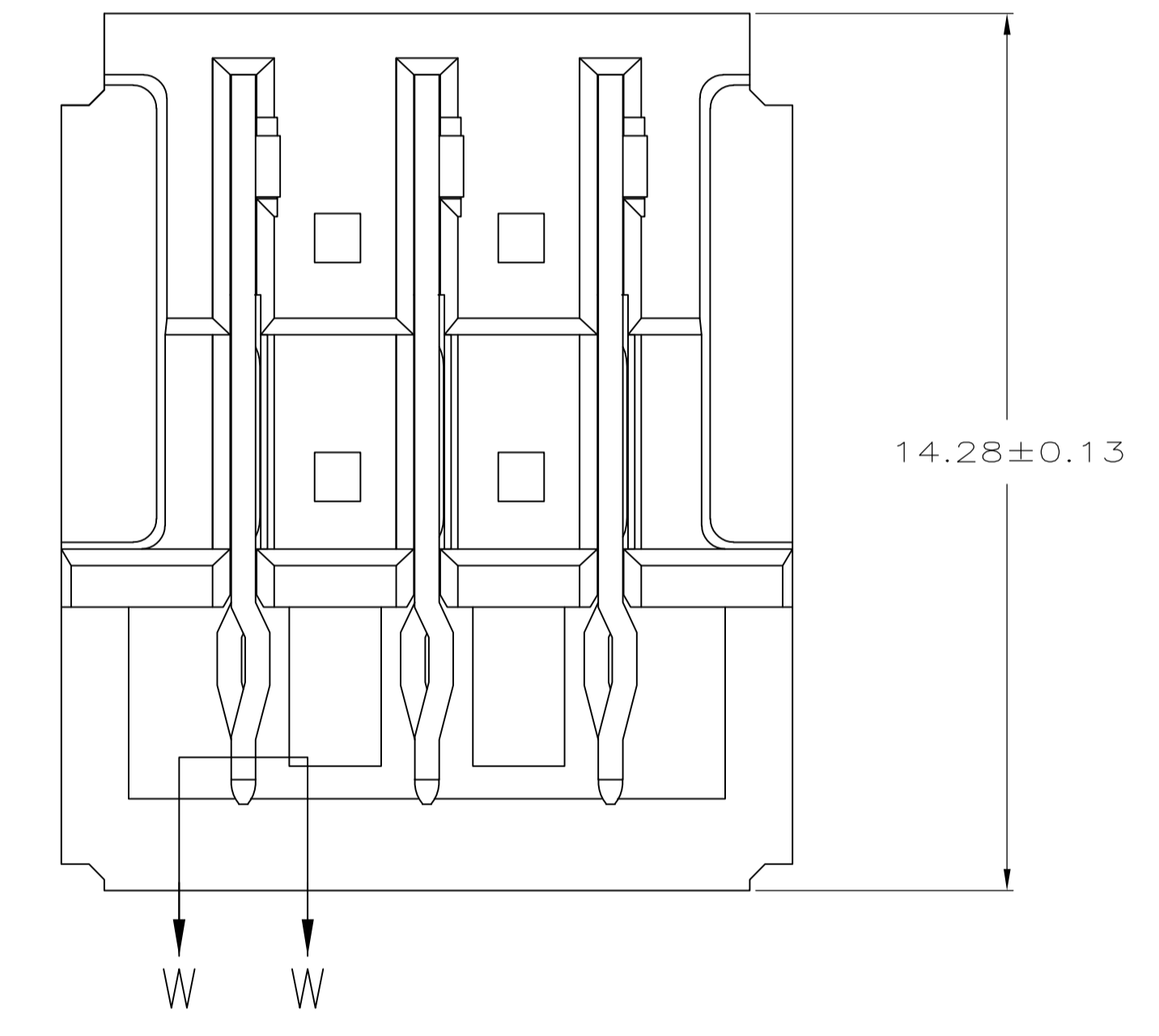
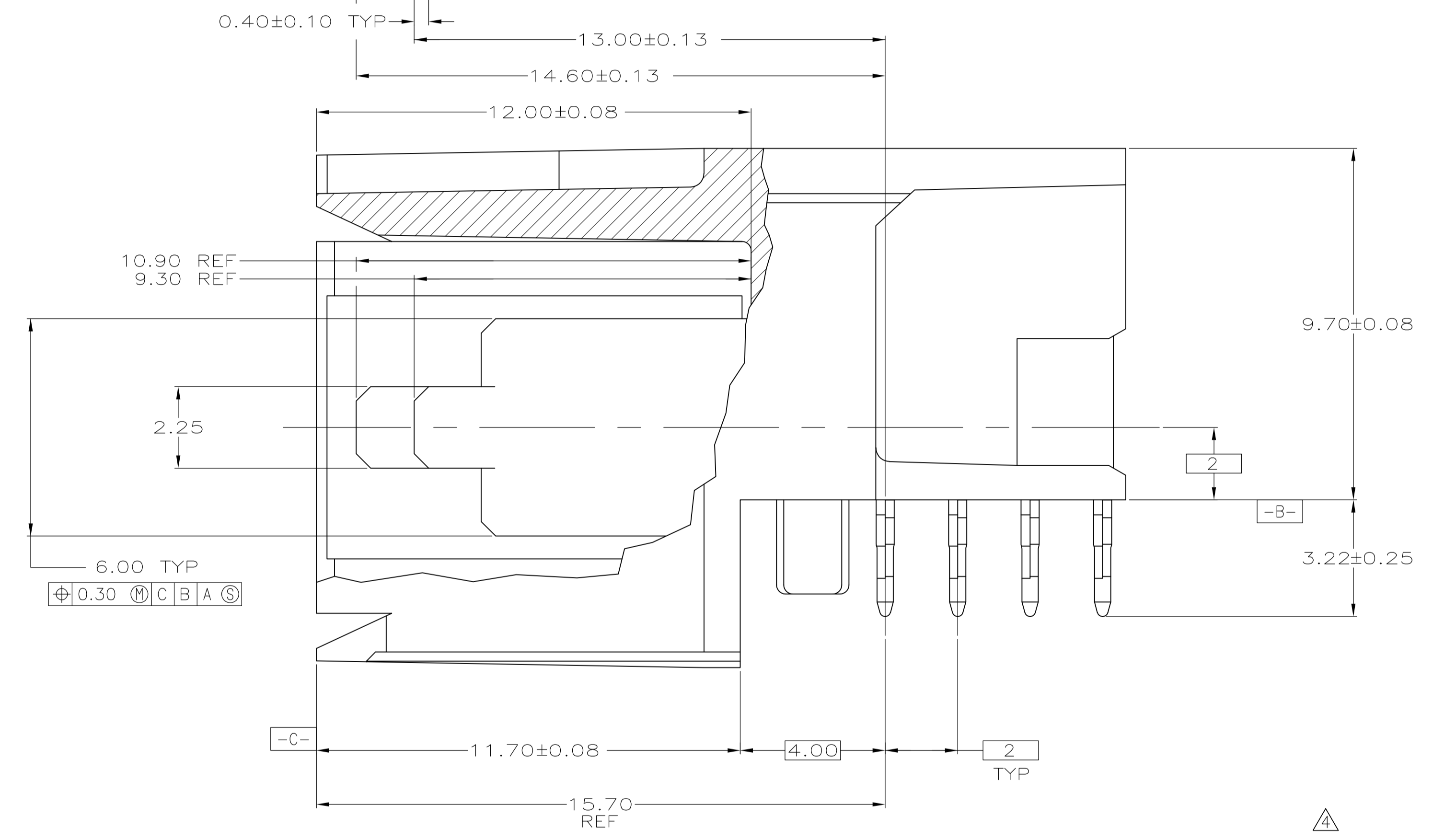
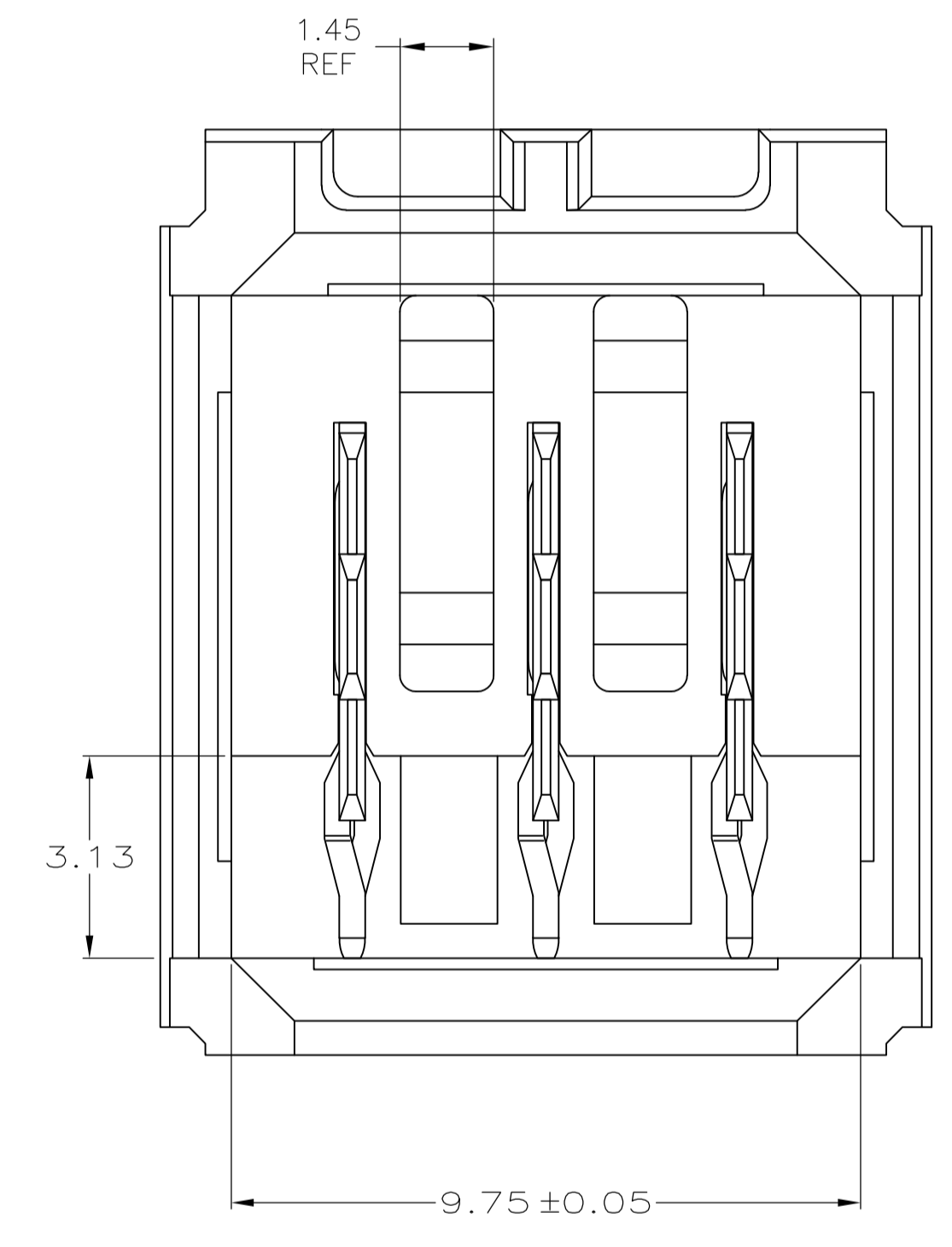


LOC		DIST		REVISIONS			
AD	00	REV	DATE	BY	APP'D	DATE	REV
C1	REVISED PER ECO-12-012800		19JUL12	KH	AS		



- 1 MATERIAL: HOUSING: POLYESTER. COLOR: GRAY. UL 94V-0. CONTACT: PHOSPHOR BRONZE.
- 2 FINISH: CONTACT MATING AREA: 1.27μm MIN GOLD OR 0.08μm MIN GOLD OVER 0.76μm MIN PALLADIUM-NICKEL. ACTION PIN AREA: 0.5μm MIN TIN PLATE, ALL OVER 1.27μm MIN NICKEL UNDERPLATE.
- 3 FINISH: CONTACT LUBRICATION WITH BELLCORE APPROVED LUBRICANT. TECHNICAL REFERENCE: TR-NWT-001217 ISSUE 1, SEPT 1992.
- 4 REFERENCE APPLICATION SPEC 114-1103 FOR RECOMMENDED PLATED THRU HOLE DIAMETER AND PLATING THICKNESS.
- 5 CURRENT RATING 10A/CONTACT FOR PHOS BRONZE CONTACT AND 16A/CONTACT FOR HIGH CURRENT COPPER ALLOY CONTACT PER PRODUCT SPEC 108-1651.
- 6 MATERIAL: HOUSING: POLYESTER, COLOR: GRAY, UL94V-0 CONTACT: HIGH CURRENT COPPER ALLOY.



2 3 6	5-5223968-1
1 2 3	5223968-1
REMARKS	PART NUMBER

THIS DRAWING IS A CONTROLLED DOCUMENT.		DIN: B CARBO 130EC04	STE TE Connectivity	
DIMENSIONS: mm		CIR: R PATTERSON 130EC04	NAME: ASSEMBLY, RIGHT ANGLE HEADER, W/ RETENTION PEGS, UNIVERSAL POWER MODULE	
TOLERANCES UNLESS OTHERWISE SPECIFIED:		APVD: R PATTERSON 130EC04	PRODUCT SPEC	
0 PLC	± -	APPLICATION SPEC	SIZE	CAGE CODE
1 PLC	± -	SIZE	A1	00779
2 PLC	± 0.13	WEIGHT	C=5223968	
3 PLC	± -	CUSTOMER DRAWING	SCALE	10:1
4 PLC	± -	RESTRICTED TO	SHEET	1 OF 1
ANGLES	± -	REV	C1	

RECOMMENDED PCB HOLE LAYOUT